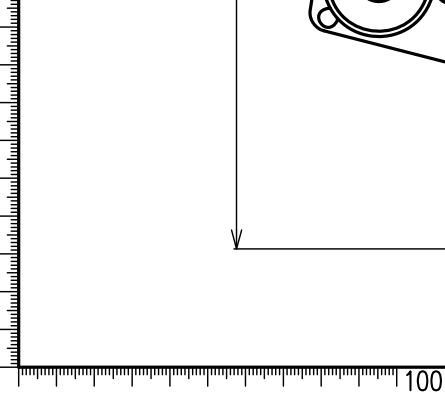


100



1/2	0		KRS-4	2017. 8.22
Scale	改訂			