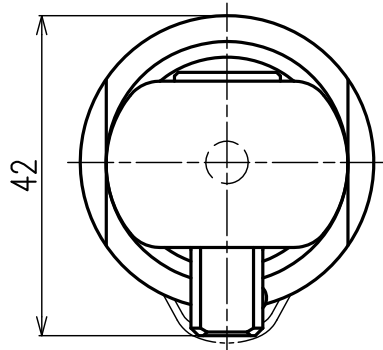
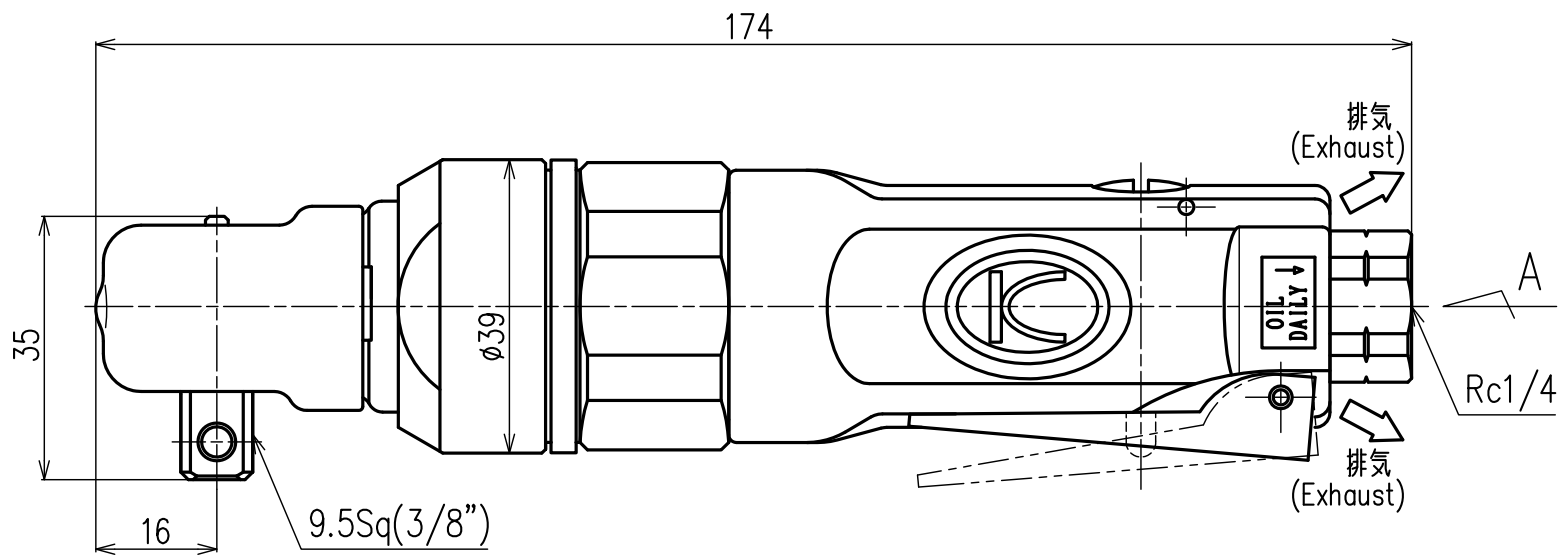


100



42



174

35

16

9.5Sq(3/8")

φ39

排气  
(Exhaust)

排气  
(Exhaust)

A

A  
Rc1/4

|       |    |  |                 |              |
|-------|----|--|-----------------|--------------|
| 1/1   | 0  |  | KRI-10          | 2014. 1.28   |
| Scale | 改訂 |  | KUKEN Co., Ltd. | OSAKA.JAPAN. |

100