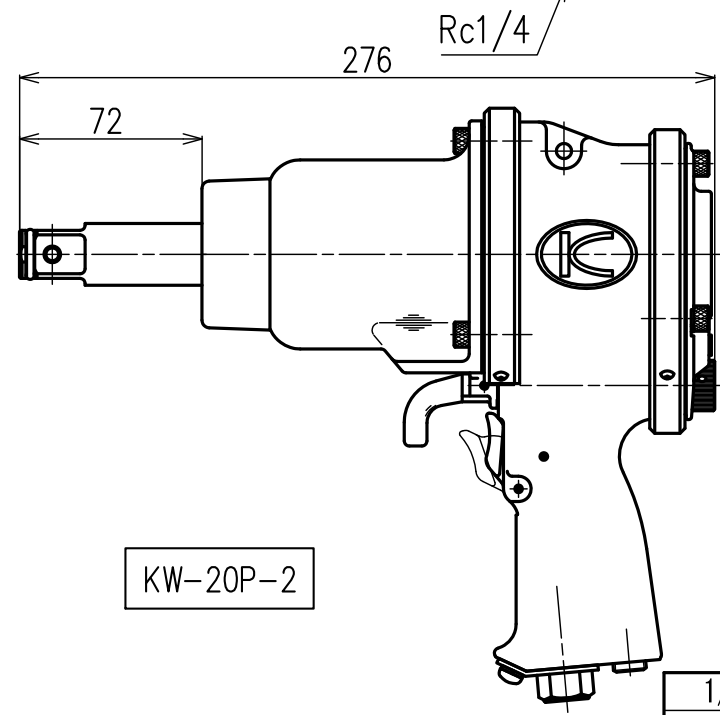


KW-20P



KW-20P-2

